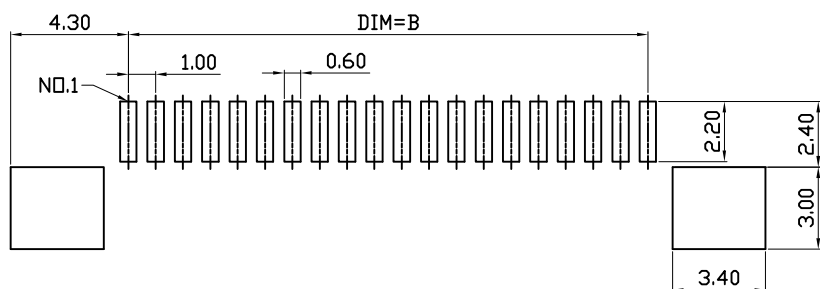
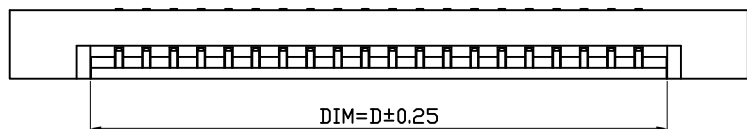
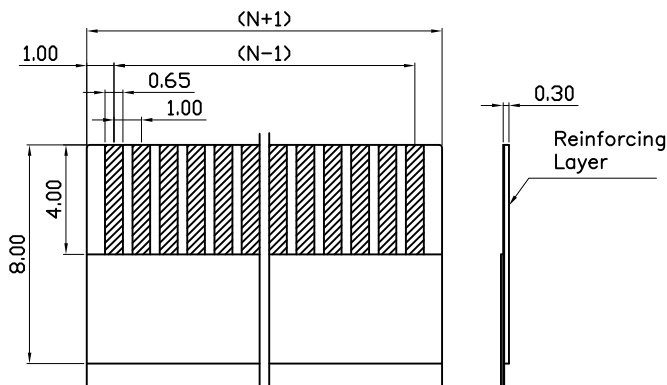


MATERIAL:
 Housing: LCP UL94V-0 Ivory
 Slider: LCP UL94V-0 Black
 Contact: Phosphor Bronze, Sn Plated Over Nickel
 Solder Tab: Brass, Sn Plated Over Nickel



RECOMMENDED PCB LAYOUT



RECOMMENDED FFC/FPC DIM.

PIN NO.	DIM=A	DIM=B	DIM=C	DIM=D
30P	35.1	29.00	37.0	31.10
29P	34.1	28.00	36.0	30.10
28P	33.1	27.00	35.0	29.10
27P	32.1	26.00	34.0	28.10
26P	31.1	25.00	33.0	27.10
25P	30.1	24.00	32.0	26.10
24P	29.1	23.00	31.0	25.10
23P	28.1	22.00	30.0	24.10
22P	27.1	21.00	29.0	23.10
21P	26.1	20.00	28.0	22.10
20P	25.1	19.00	27.0	21.10
19P	24.1	18.00	26.0	20.10
18P	23.1	17.00	25.0	19.10
17P	22.1	16.00	24.0	18.10
16P	21.1	15.00	23.0	17.10
15P	20.1	14.00	22.0	16.10
14P	19.1	13.00	21.0	15.10
13P	18.1	12.00	20.0	14.10
12P	17.1	11.00	19.0	13.10
11P	16.1	10.00	18.0	12.10
10P	15.1	9.00	17.0	11.10
9P	14.1	8.00	16.0	10.10
8P	13.1	7.00	15.0	9.10
7P	12.1	6.00	14.0	8.10
6P	11.1	5.00	13.0	7.10
5P	10.1	4.00	12.0	6.10
4P	9.1	3.00	11.0	5.10

僅供參考

XIAN YI PRECISION CO., LTD.
 祥益精密股份有限公司

TITLE / 品名: 1.0mm FPC SMT(Bottom Cont) Type RoHS

PART NO / 料號: F532X-XXP-XXXXR

核準發行章

APPROVE / 核準	CHECKED / 審查	DRAWING / 繪圖	DRAWING NO / 圖號	UNIT / 單位	 GENERAL TOLERANCE X ±0.50 .X ±0.38 .XX ±0.20 .XXX ±0.10	1.0	圖面僅供參考, 實際尺寸以承認圖為主	2011/03/02	
James	James	Chenrong		mm	SHEET 1 OF 1	NO.	REV / 版本	修訂內容	日期